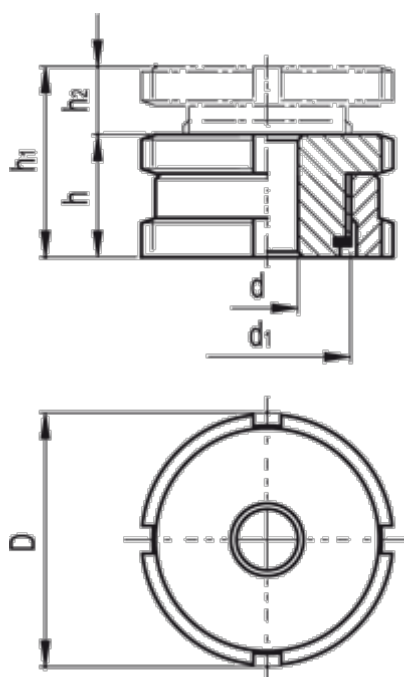


Article number: 20665235B  
Description: E+G Levelling set  
GN 350.1-58-22-NI

## Measures



C-spanner DIN 1810 = A58-62  
d = 22.0  
D = 58  
d1 = M40x1  
For screw = M20  
h = 28  
h1 = 37  
h2 = 9

Max static load (N) = 148.0  
Static preload (N) = 59.1  
Weight (g) = 418